

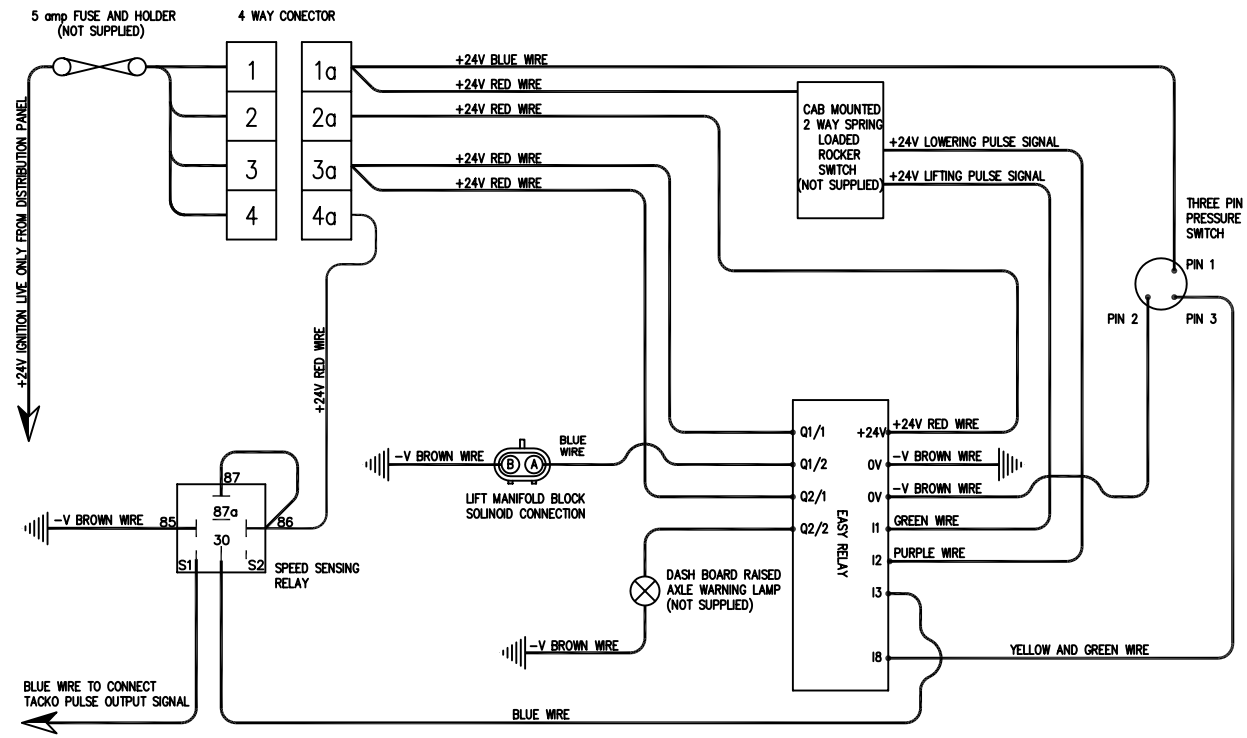
FOR CONECTION OF PRESSURE SWITCH AND CONTROL VALVE PLUGS TO ELECTRICAL SYSTEM SEE DRAWING PAGE 2

- DENOTES SUSPENSION BAG PIPE RUNS ALL #10x1.25mm WALL GREEN PIPE.
- DENOTES LIFTING BAG PIPE RUNS ALL #10x1.25mm WALL GREEN PIPE.
- DENOTES AIR TANK SUPPLY PIPE RUNS ALL #10x1.25mm WALL RED PIPE.

DO NOT SCALE IF IN DOUBT ASK	DESIGNED FOR AUTOMATIC AUXILIARY AIR SUSPENSION TO AIR SUSPENDED PRIMARY AXLE	DRAWN BY S MORAN	AUTHORISED
ALL DIMENSIONS ARE IN MILLIMETRES	COMPONENTS TO CARRY PART NO. AT LOCATION BATCH DATE SUPPLIER CODE BURRS AND SHARP EDGES TO BE REMOVED	DATE 08 SEPT 05	CHECKED
ORIGINAL FRAME SIZE 562mm x 390mm	UNSPECIFIED TOLERANCES NO DECIMALS ± 1mm ONE ± 0.5mm TWO ± 0.2mm ANGULAR ± 0° - 3'	ALL ALTERATIONS TO BE VIA CAD	SCALE N/A
		ESTIMATED ACTUAL WEIGHT	SUPERSEDES

B	CASE	-	PS 3/11
A	1ST ISSUE	-	SJM 2005
SUFF	CHANGE & REASON	DISP	ORIGIN BY DATE
USE WITH CARE DISPOSITION	MODIFICATIONS		
1 - NEW 2 - REVISION 3 - SCRAP STOCK	GRANNING LYNX <small>Granning UK Ltd. Unit 37, Millfold Court, Handale Works, Warrington, Cheshire, WA1 4RZ, England</small>		
	<small>GRANNING UK LTD. CLAIMS PROPRIETARY RIGHTS TO ALL THE INFORMATION DISCLOSED ON THIS DRAWING. IT IS NOT TO BE REPRODUCED OR USED FOR MANUFACTURE OR FOR ANY OTHER PURPOSE OR DISCLOSED TO ANY THIRD PARTY WITHOUT OUR WRITTEN PERMISSION.</small>		
	MATERIAL		
	SEE BILL OF MATERIALS		
	FINISH		
	TITLE		
	AM530 D		
	LIFT CONTROL SYSTEM		
	DRAWING NO. 18859		
	SHEET 1 OF 2 A2		

ITEM	PART NO.	QTY	DESCRIPTION	NOTES
------	----------	-----	-------------	-------



NOTE: -
ALL CABLES SIZE TO BE A MINIMUM OF 0.75mm SQUARED RATED OVER 5 Amps

A	1ST ISSUE	-	ENG 04/200	SF	2004
SUFF	CHANGE & REASON	DISP	ORIGIN	BY	DATE
MODIFICATIONS					
GRANNING LYNX					
Granning UK Ltd, Unit 27, Millers Court, Warrington, Cheshire, WA1 4RZ, England					
GRANNING UK LTD. CLAIMS PROPRIETARY RIGHTS TO ALL THE INFORMATION DISCLOSED ON THIS DRAWING. IT IS NOT TO BE REPRODUCED OR USED FOR MANUFACTURE OR FOR ANY OTHER PURPOSE OR DISCLOSED TO ANY THIRD PARTY WITHOUT OUR WRITTEN PERMISSION.					
MATERIAL					
SEE BILL OF MATERIALS					
FINISH					

DO NOT SCALE IF IN DOUBT ASK	DESIGNED FOR AUTOMATIC AUXILIARY AIR SUSPENSION TO MECHANICALLY SUSPENDED PRIMARY AXLE	DRAWN BY M QUIGLEY	AUTHORISED
ALL DIMENSIONS ARE IN MILLIMETRES	COMPONENTS TO CARRY PART NO. AT LOCATION BATCH DATE SUPPLIER CODE	DATE 30 JUL 04	CHECKED
ORIGINAL FRAME SIZE 562mm x 390mm	UNSPECIFIED TOLERANCES NO DECIMALS ± 1mm ONE ± 0.5mm TWO ± 0.2mm ANGULAR ± 0° - 3'	ALL ALTERATIONS TO BE VIA CAD	SCALE N/A
	BURRS AND SHARP EDGES TO BE REMOVED	ESTIMATED WEIGHT ACTUAL	SUPERSEDES
			TITLE AM530 D LIFT CONTROL SYSTEM
			DRAWING NO. 18859
			SHEET 2 OF 2 A2